

# YL SERIES

DOUBLE VALUE CAPACITOR  
ASYNCHRONOUS MOTOR



## APPLICATION

Air compressors, pumps, fans, coolers, medical equipment and small machinery etc.

## CHARACTERISTIC

low noise, compact construction, outstanding performance of starting and operation.

## PARAMETER

Frame: 71–160mm  
Power: 0.25–7.5kw  
Protection class: IP44  
Insulation class: F

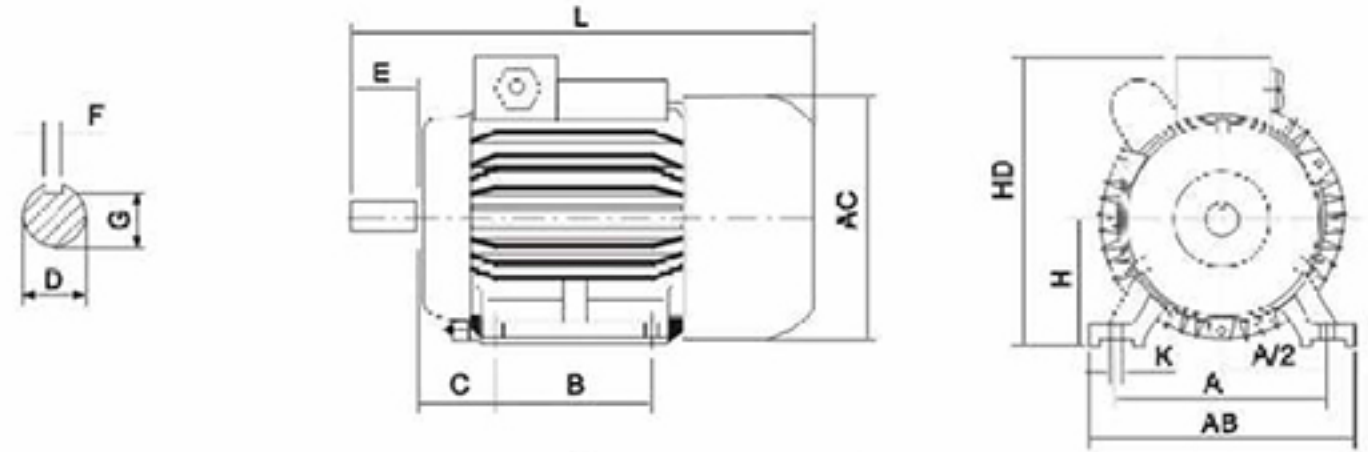
## TECHNICAL DATA

Type	Power (KW)	Rated Current (A)	Speed r/min	Eff %	Power Factor cos Φ	Tst/Tn	LST A
YL711-2	0.37	2.2	2800	67	0.92	1.8	16
YL712-2	0.55	3.9	2800	70	0.92	1.8	21
YL801-2	0.75	4.9	2800	72	0.95	1.8	29
YL802-2	1.1	7	2800	75	0.95	1.8	40
YL90S-2	1.5	9.4	2800	76	0.95	1.7	55
YL90L-2	2.2	13.7	2800	77	0.95	1.7	80
YL100L1-2	3	18.2	2800	79	0.95	1.7	110
YL112M-2	4	26.6	2850	77	0.82	2.2	175
YL132S-2	4	27.5	2800	79	0.86	1.7	180
YL132M-2	5.5	32.5	2800	81	0.95	1.7	230
YL711-4	0.25	2	1400	62	0.92	1.8	12
YL712-4	0.37	2.8	1400	65	0.92	1.8	16
YL801-4	0.55	4	1400	68	0.92	1.8	21
YL802-4	0.75	5.1	1400	71	0.92	1.8	29
YL90S-4	1.1	7.3	1400	73	0.95	1.7	40
YL90L-4	1.5	9.7	1400	75	0.95	1.7	55
YL100L1-4	2.2	13.9	1400	76	0.95	1.7	80
YL112M-4	3	18.6	1400	77	0.95	1.7	110
YL132S-4	4	27.1	1400	78	0.77	2.2	175
YL132M-4	5.5	31.2	1400	78	0.95	2.2	230
YL160L-4	7.5	57.8	1400	71	0.93	1.7	400

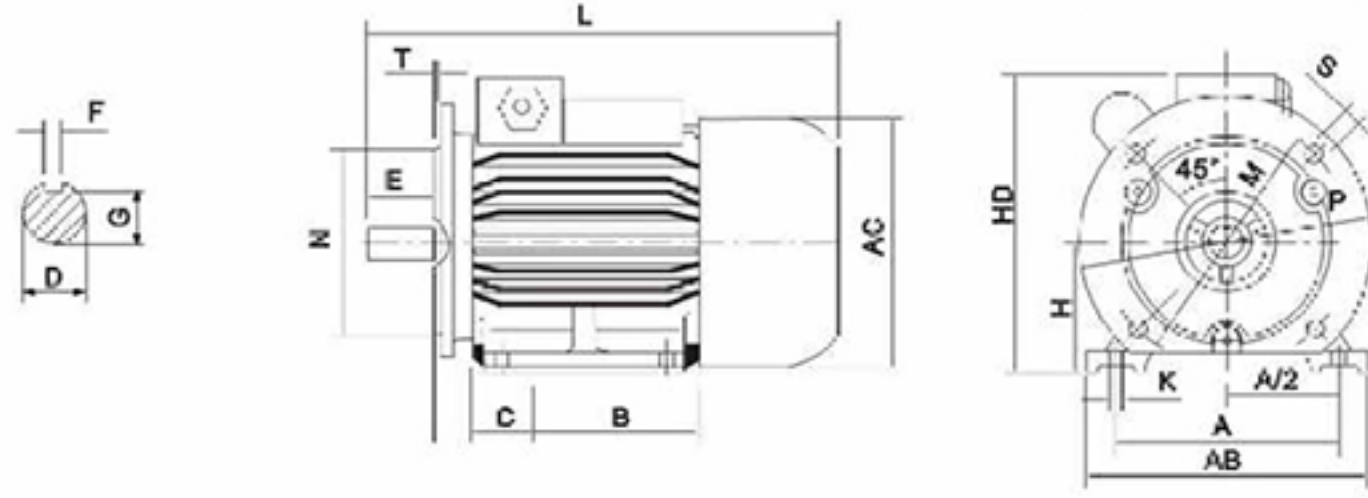


DIMENSIONS(mm)

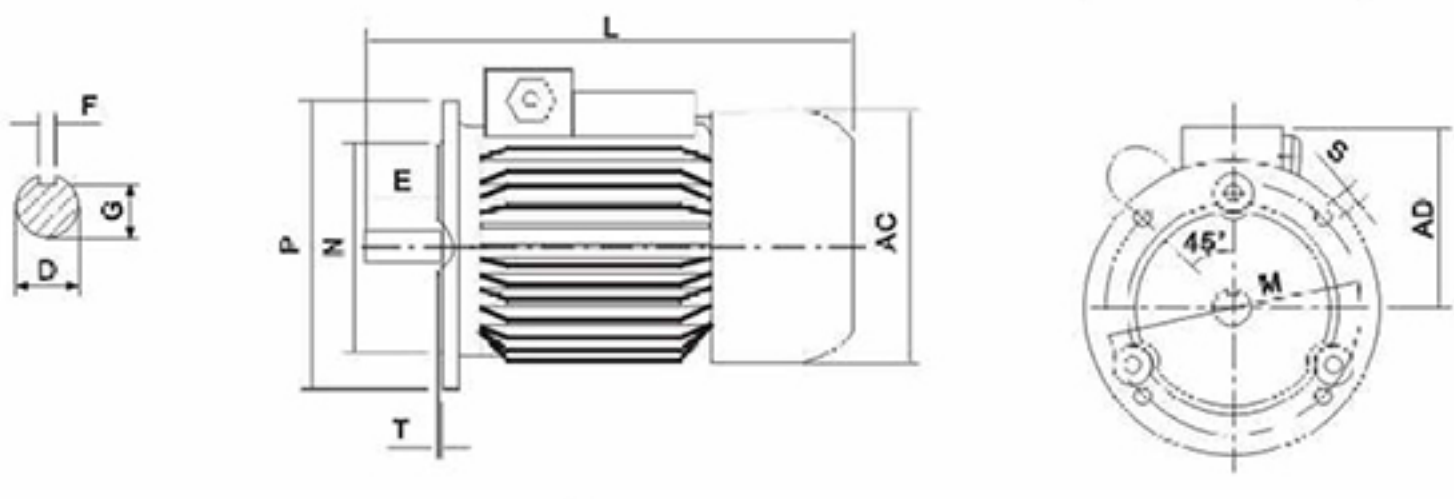
B3



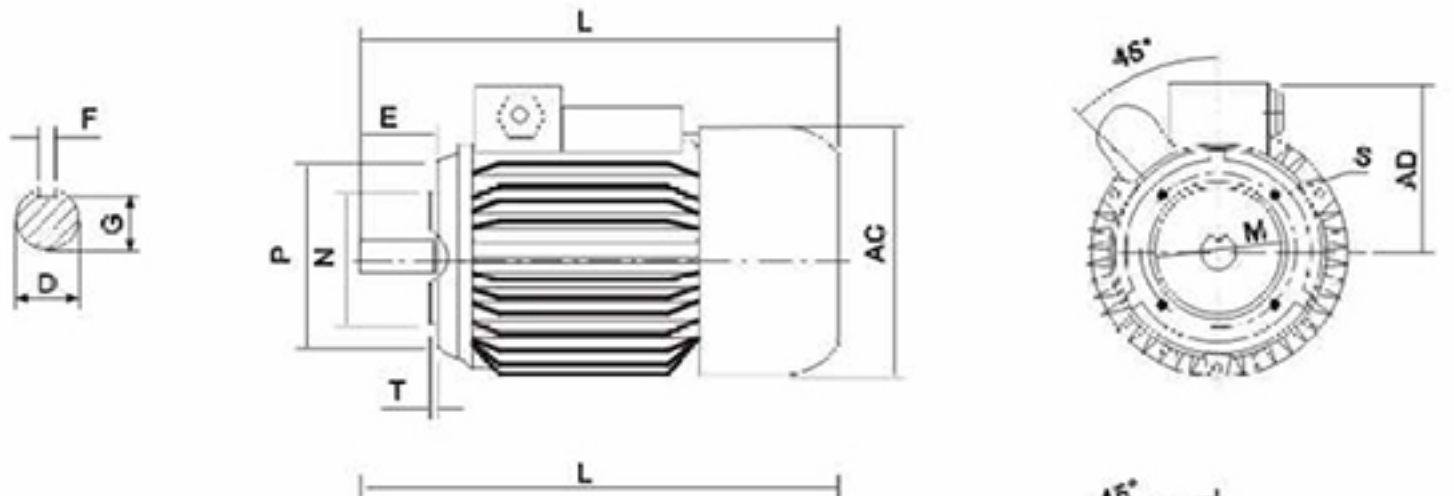
B35



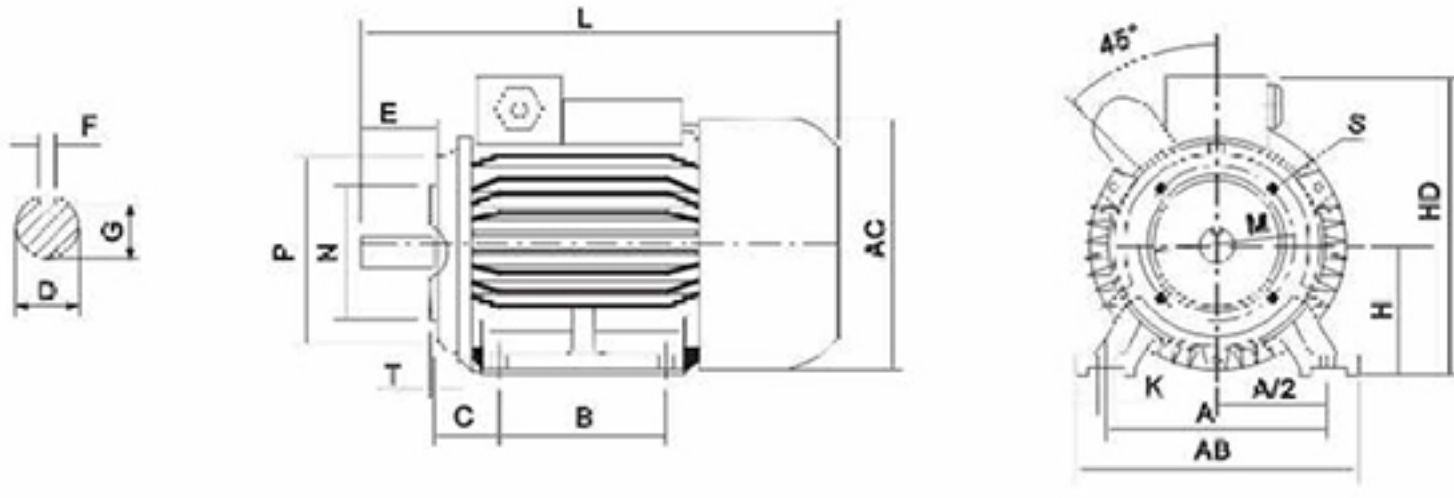
B5



B14



B34



Blank area with horizontal lines for technical notes or specifications.

frame size	Mounting dimensions											OutLine dimensions																
	A	A/2	B	C	D	E	F	G	H	K	IM B14 B34				IM B5 B35				AB	AC	AD	AE	HD	L				
											M	N	P	R	S	T	M	N	P	R	S	T						
71	112	56	90	45	14	30	5	11	71	7	85	70	105	0	M6	2.5	130	110	160	0	10	3.5	145	145	140	95	180	255
80	125	62.5	100	50	19	40	6	15.5	80	10	100	80	120	0	M6	3	165	130	200	0	12	3.5	160	165	150	110	200	295
90S	140	70	100	56	24	50	8	20	90	10	115	95	140	0	M8	3	165	130	200	0	12	3.5	180	185	160	120	220	370
90L	140	70	125	56	24	50	8	20	90	10	115	95	140	0	M8	3	165	130	200	0	12	3.5	180	185	160	120	220	400
100L	160	80	140	63	28	60	8	24	100	12	-	-	-	-	-	215	180	250	0	15	4	205	200	180	130	260	430	
112M	190	95	140	70	28	60	8	24	112	12	-	-	-	-	-	215	180	250	0	15	4	245	250	190	140	300	455	
132S	216	108	140	89	38	80	10	33	132	12	-	-	-	-	-	265	230	300	0	15	4	280	290	210	155	350	525	
132M	216	108	178	88	38	80	10	33	132	12	-	-	-	-	-	265	230	300	0	15	4	280	290	210	155	350	565	